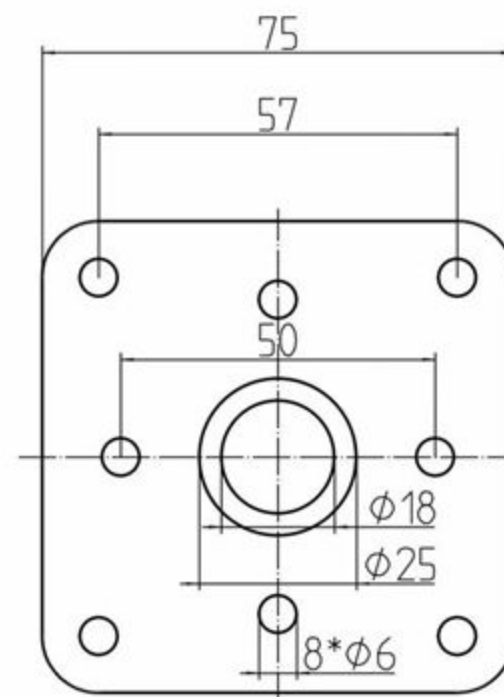
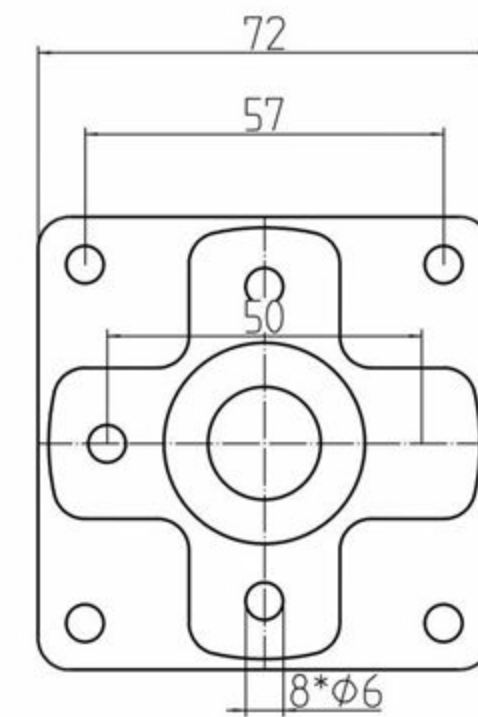


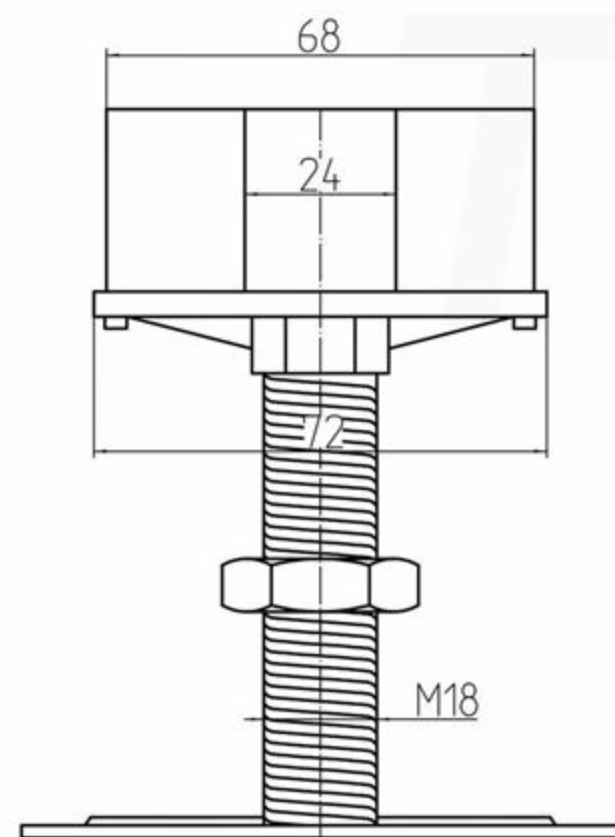
Flat Head Pedestal



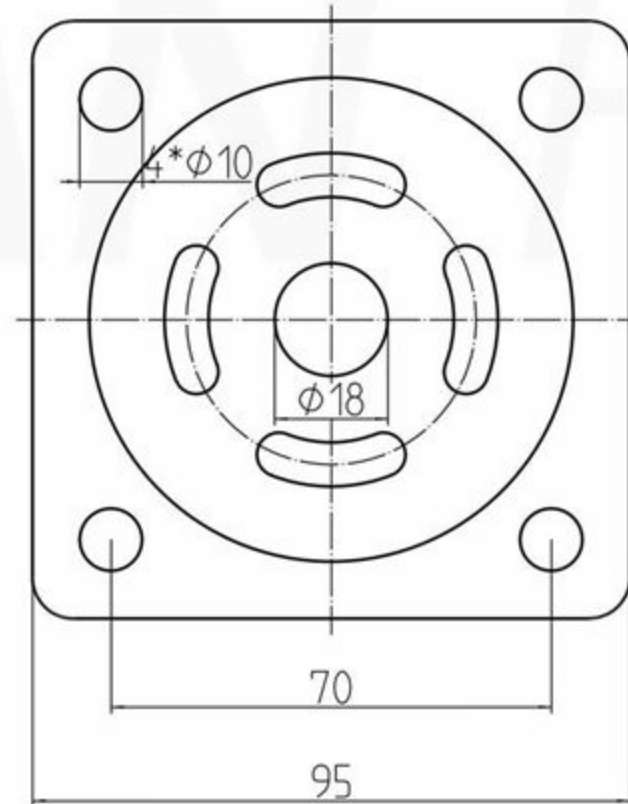
Top Plate



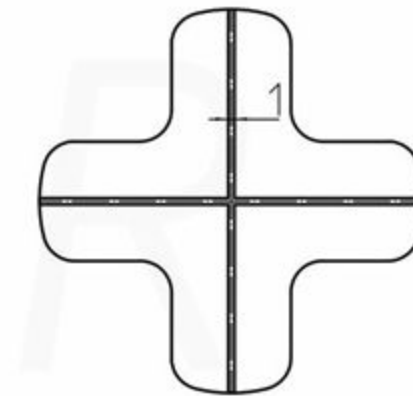
Aluminum Head



Aluminum Head Pedestal



Base Plate

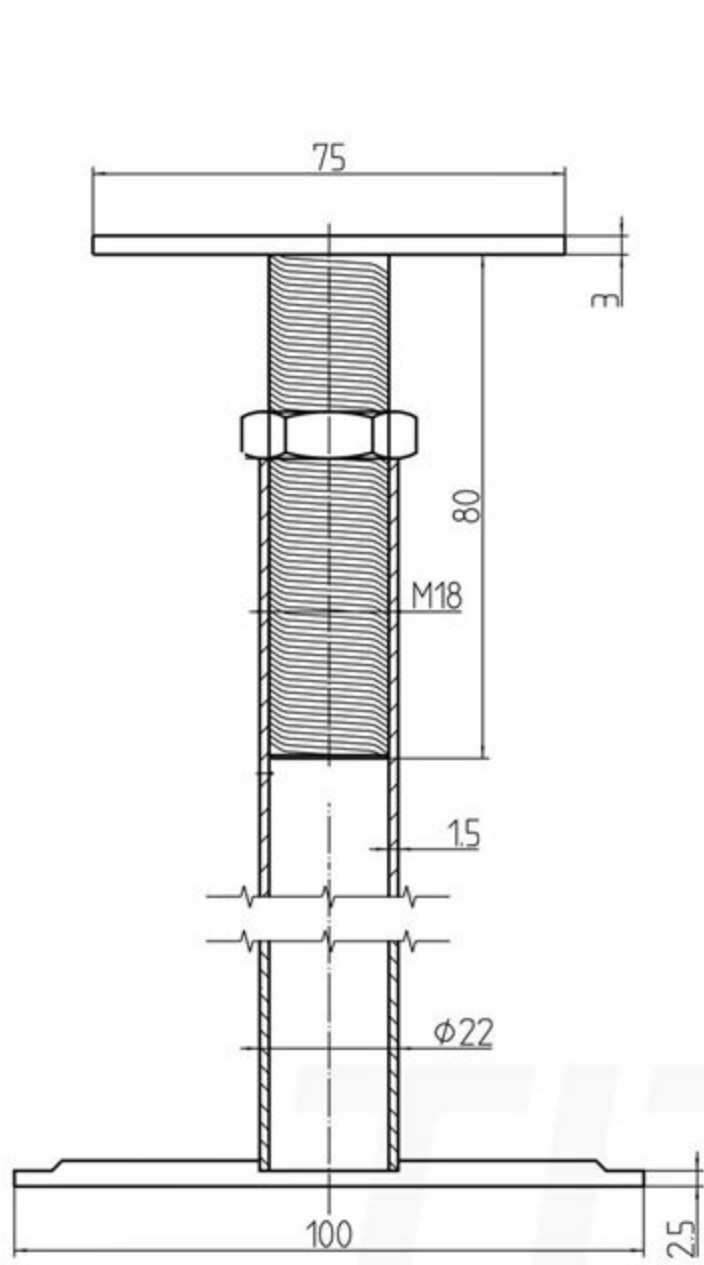


Gasket

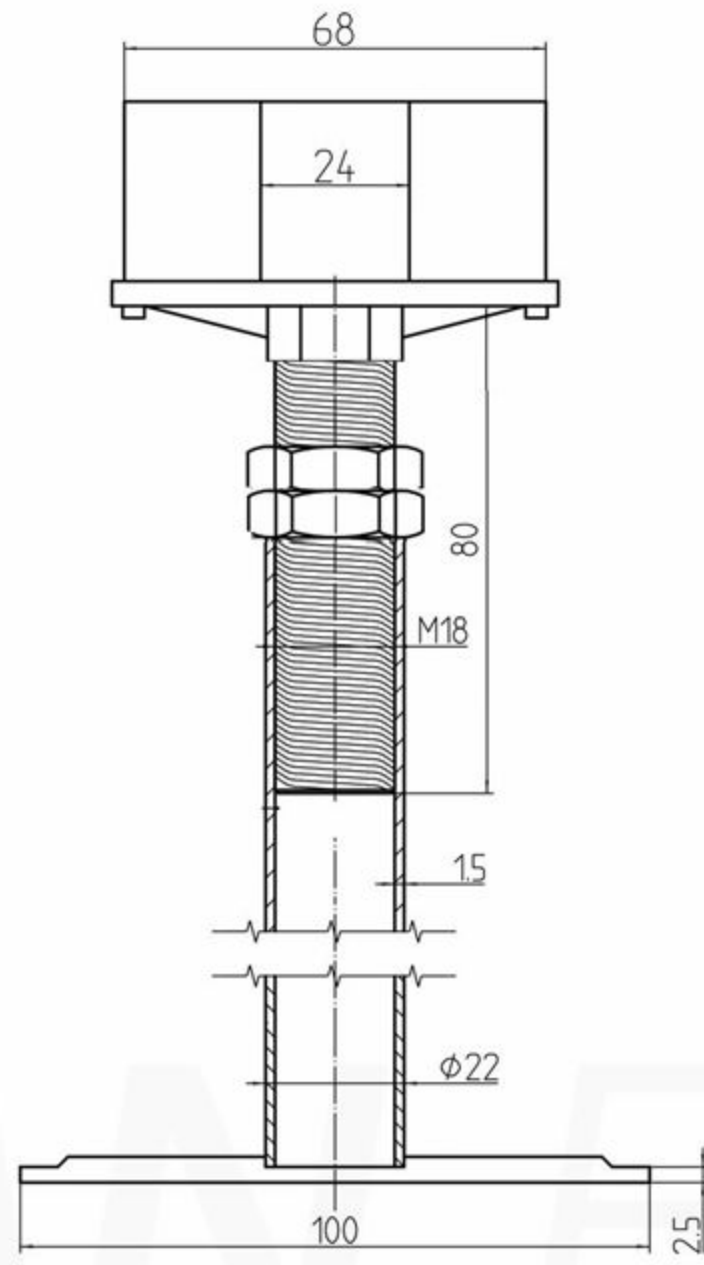
Note:

- 1.Flat head pedestal as border pedestal
- 2.Aluminum head pedestal as central pedestal
- 3.This tube type pedestal suits height below FFH300
- 4.Pedestal & stringer can accept zinc & hot-dip galvanizing

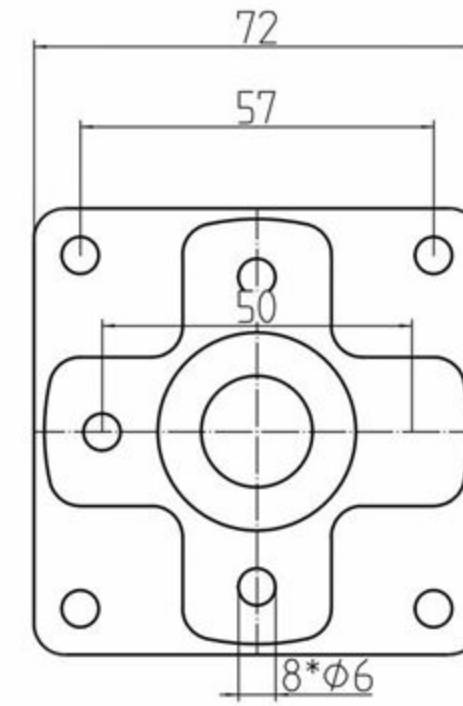
<b>TT</b>		TITANFLOR	
PEDESTAL & STRINGER SERIES			
TT-PS-01	Tube Type	Below FFH300	Corner Lock



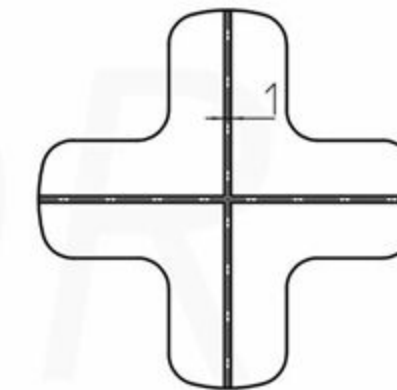
Flat Head Pedestal



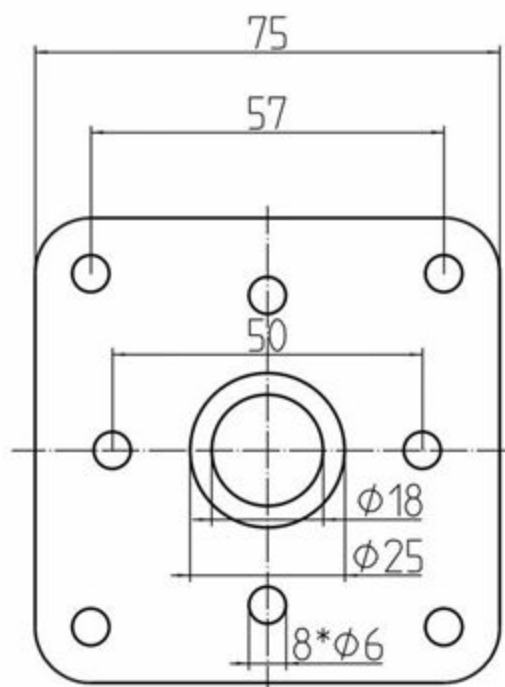
Aluminum Head Pedestal



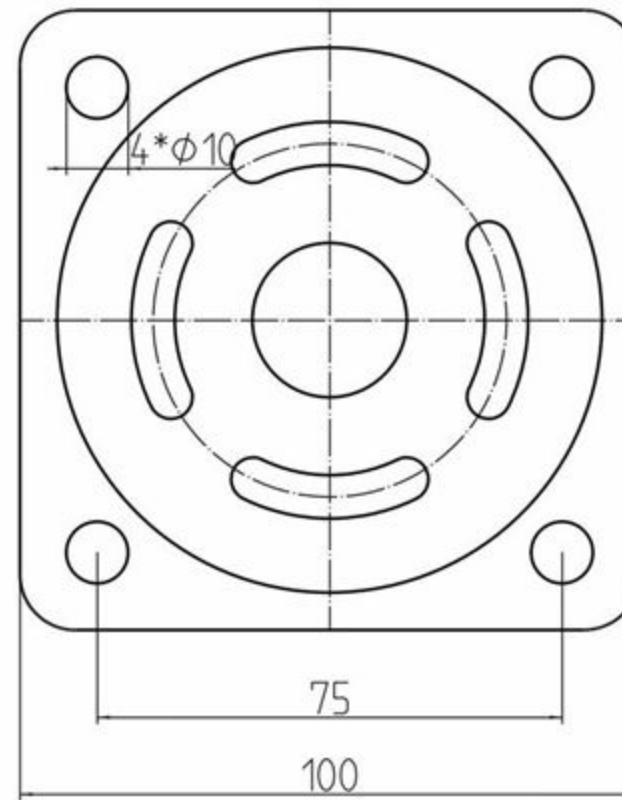
Aluminum Head



Gasket



Top Plate



Base Plate

Note:

- 1.Flat head pedestal as border pedestal
- 2.Aluminum head pedestal as central pedestal
- 3.This tube type pedestal suits height below FFH300
- 4.Pedestal & stringer can accept zinc & hot-dip galvanizing

<b>TT</b>		TITANFLOR	
PEDESTAL & STRINGER SERIES			
TT-PS-02	Tube Type	Above FFH200	Corner Lock